



ECOUBB-2G-HC

27" Depth Solid Swing Door Back Bar Cooler



SPECIFICATIONS

CABINET CONSTRUCTION Standard, cabinet exterior construction includes attractive, wear resistant vinyl on steel in black finish. Stainless exterior options available. Standard interior construction utilizes stainless steel walls, floor and ceiling.

REFRIGERATION Refrigeration system uses R134a refrigerant, which is CFC and HCFC-free for compliance with environmental safety concerns.

ELECTRICAL Units wired at factory and ready for connection to a 115/60/1 phase,

15 amp dedicated outlet.

TEMPERATURE Oversized, factory balanced, refrigeration system holds 33°F to 38F (0.5T to 3.3)

SANITATION NSF-7 approved for packaged and bottled product.

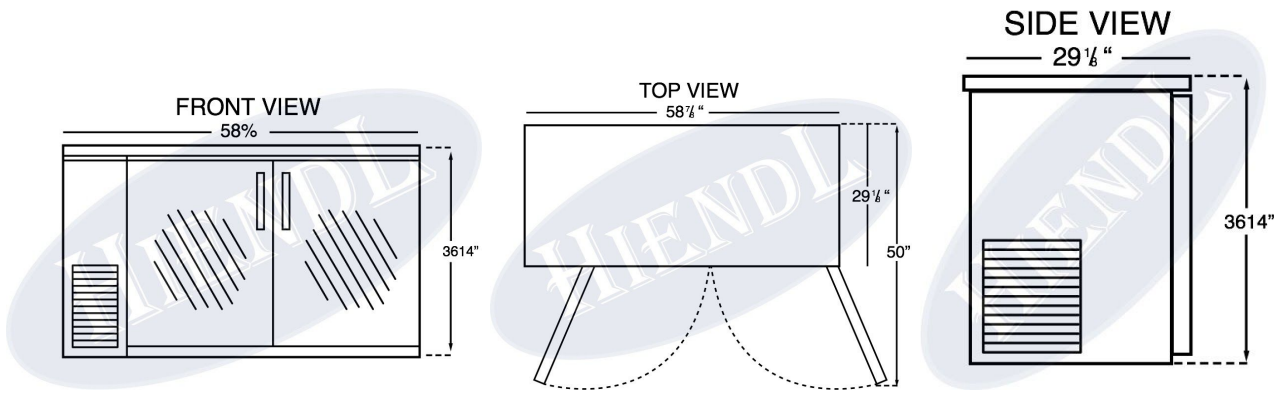
MODEL FEATURES:

Standard LED light inside of the cabinet


Easily accessible condenser coil for cleaning, and easy service access

Designed to accommodate a variety of beer kegs

Warranty: 1 year parts and labors; 5 year compressor



Specifications subject to change without notice.
 Chart dimensions rounded up to the nearest 1/8"

Model	Doors	Shelves	DIMENSIONS (INCHES)			CAP CU.FT.	HP	Voltage	Amps	NEMA Config.
			LENGTH	DEPTH	HEIGHT					
ECOUBB-2G-HC	2	4	58 7/8 1495	27 3/4 705	36 1/4 920	13.8	1/3+	115/60/1	6.2	5-15P 

Plug types varies by country.

