



# ECOJBC-65

Deep Well Horizontal Bottle Cooler

## SPECIFICATIONS



**Exteriors** of both well models include attractive,wear-resistant vinyl on steel in black finish. Stainless steel options are available.

**Bottle cap opener** and cap catcher is standard with all models.

**Top deep well models** include easy glide, stainless steel lids, Standard interior metal is coated aluminium. Stainless steel interior is optionally available.Adjustable dividers included are epoxy coated steel wire.

**Oversized, factory balanced,** refrigeration system holds 33°F to 38°F(0.5°C to 3.3°C)

**Forced-air cooling.** Positively guided airflow cools bottles on top first.Interior-long lasting, heavy duty galvanized steel. NSF-7 approved for packaged and bottled product.

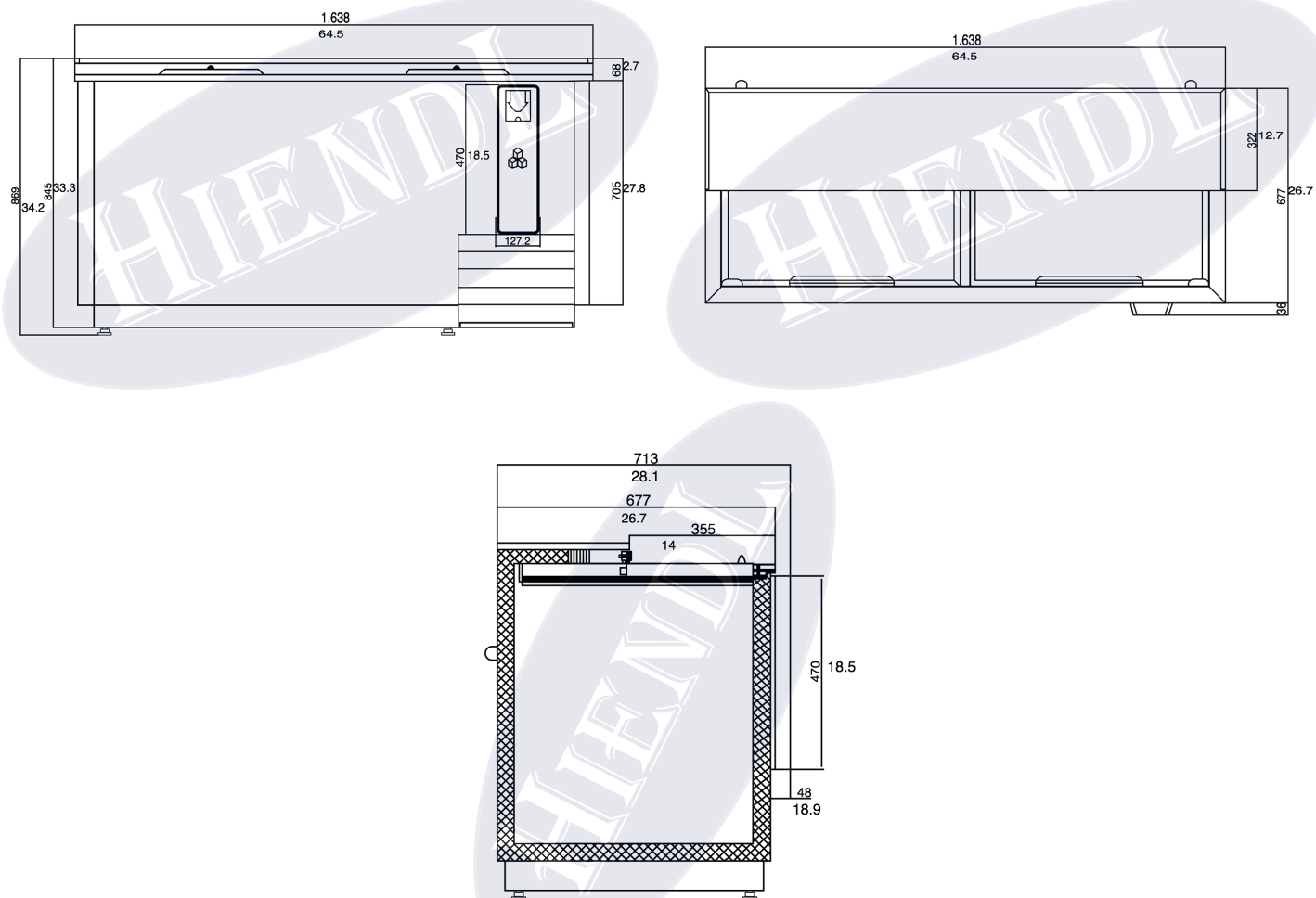
**Condensing unit** accessed slides out for easy maintenance.

### MODEL FEATURES:

Evaporator is epoxy coated to eliminate the potential of corrosion.

Removable, bottle cap openers and capcatchers.

Warranty: 1 year parts and labors; 5 year compressor



Specifications subject to change without notice.  
 Chart dimensions rounded up to the nearest 1/8"

Model	Lids	DIMENSIONS (INCHES)			CAP CU.FT.	HP	Voltage	Amps	NEMA Config.
		LENGTH	DEPTH	HEIGHT					
ECOJBC-65	2	64.5 1638	26.7 677	34.2 869	13.8	1/3+	115/60/ 1	8.5	5-15P ⓘ

Plug types varies by country.

